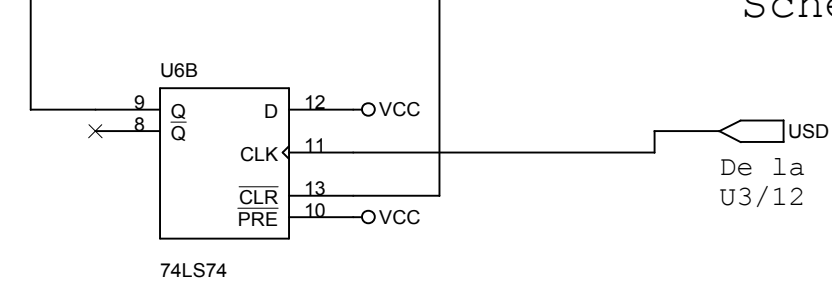
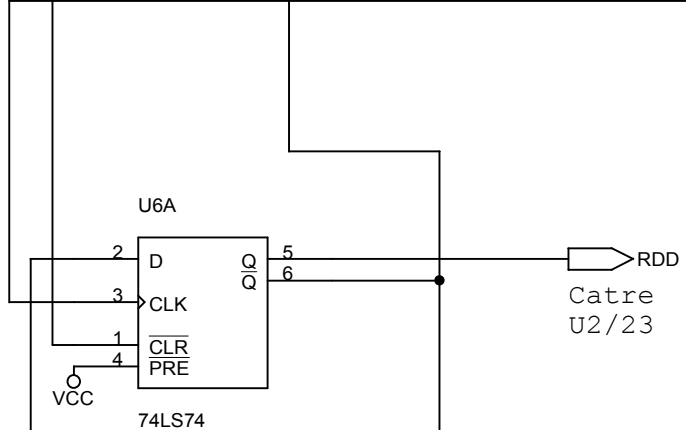
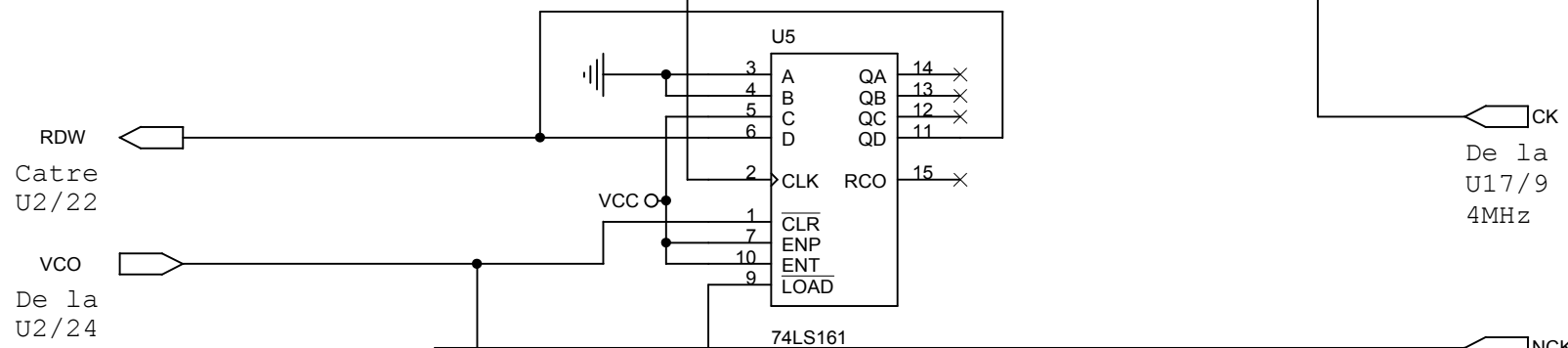


Schema PLL originala

Title		
<Title>		
Size	Document Number	Rev
A	<Doc>	<RevCode>
Date:	Tuesday, September 17, 2013	Sheet 1 of 2



Schema PLL fara PROM

Title		
<Title>		
Size	Document Number	Rev
A	<Doc>	<RevCode>
Date:	Tuesday, September 17, 2013	Sheet 2 of 2